

## TECHNICAL SPECIFICATION

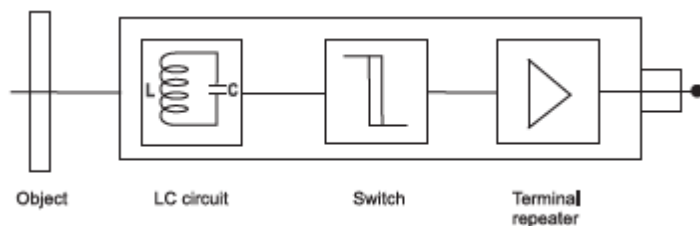
### All-purpose proximity switch – series LM xx

#### Description:

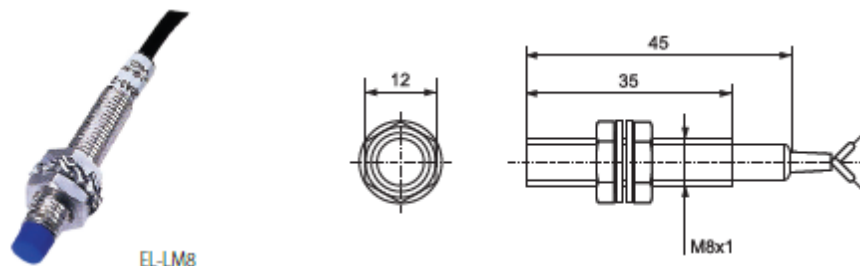
Proximity induction sensors are all-purpose switches used in machine systems and equipment for no contact surveillance of metal elements motion. They can also be used in other machine systems applications as no contact control sensors for level of liquids, control sensors for the speed and position of rotating chains, etc. They are developed on the base of PNP and NPN transition. They have small dimensions and feature a metal cylindrical shell resistant to vibrations and a plastic lid which is oil and water resistant.

#### Technical data:

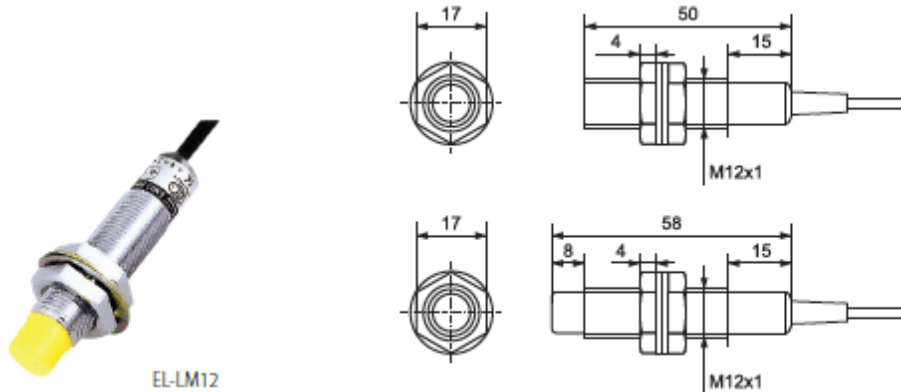
- Insulating resistance:  $\geq 50 \text{ M } \Omega$
- Gearing distance: from 2 mm to 7 mm
- Precision of repetition: 0.01
- Ambient temperature:  $-25^{\circ}\text{C}$  to  $+70^{\circ}\text{C}$
- Gearing speed: 5mm/s
- Rated voltage: 6~36VDC; 90~230VAC
- IP code: IP 67



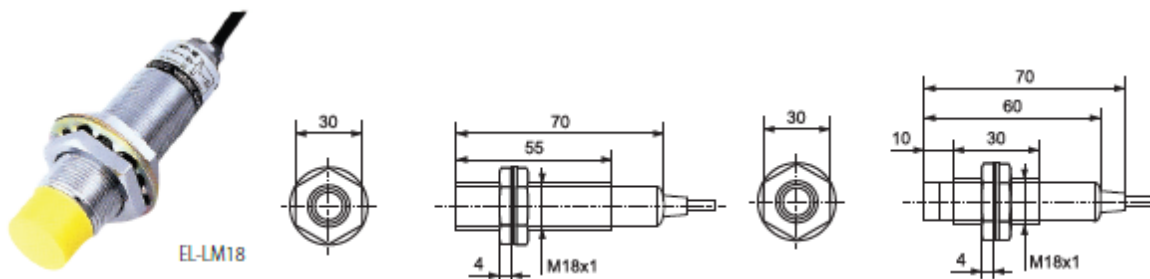
#### Variants and dimensions:



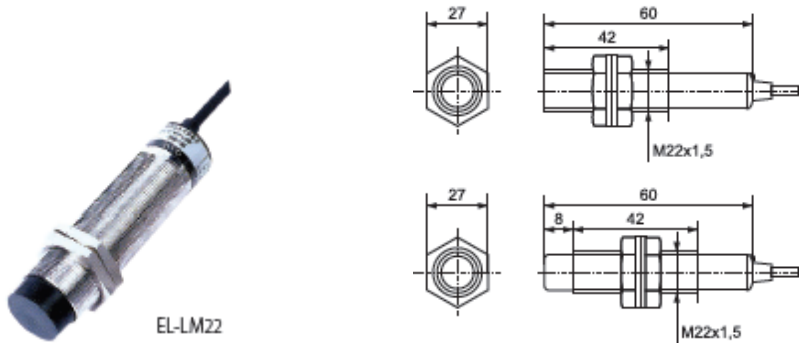
Type	Start distance (mm)	Power supply voltage	Type of transition	Type of contact	Output load
LM8-3002NA	2	15~30 VDC	NPN	NO	130mA
LM8-3002NB	2	15~30 VDC	NPN	NC	130mA
LM8-3002PA	2	15~30 VDC	PNP	NO	130mA
LM8-3002PB	2	15~30 VDC	PNP	NC	130mA
LM8-2002A	2	90~230VAC	SCR	NO	150mA



Type	Start distance (mm)	Power supply voltage	Type of transition	Type of contact	Output load
LM12-3004NA	4	15~30 VDC	NPN	NO	200mA
LM12-3004NB	4	15~30 VDC	NPN	NC	200mA
LM12-3004PA	4	15~30 VDC	PNP	NO	200mA
LM12-3004PB	4	15~30 VDC	PNP	NC	200mA
LM12-2004A	4	90~230VAC	SCR	NO	300mA



Type	Start distance (mm)	Power supply voltage	Type of transition	Type of contact	Output load
LM18-3008NA	8	15~30 VDC	NPN	NO	200mA
LM18-3008NB	8	15~30 VDC	NPN	NC	200mA
LM18-3008PA	8	15~30 VDC	PNP	NO	200mA
LM18-3008PB	8	15~30 VDC	PNP	NC	200mA
LM18-2008A	8	90~230VAC	SCR	NO	300mA



EL-LM22

Type	Start distance (mm)	Power supply voltage	Type of transition	Type of contact	Output load
LM2-3010NA	10	15~30 VDC	NPN	NO	200mA
LM22-3010NB	10	15~30 VDC	NPN	NC	200mA
LM22-3010PA	10	15~30 VDC	PNP	NO	200mA
LM22-3010PB	10	15~30 VDC	PNP	NC	200mA
LM22-2010A	10	90~230VAC	SCR	NO	300mA

Type	Start distance (mm)	Power supply voltage	Type of transition	Type of contact	Output load
LM12-4002A	2	230VAC	inductive	NO	100mA
LM12-4004A	4	230VAC	inductive	NO	300mA
LM18-4006A	6	230VAC	inductive	NO	100mA
LM18-4008A	8	230VAC	inductive	NO	300mA